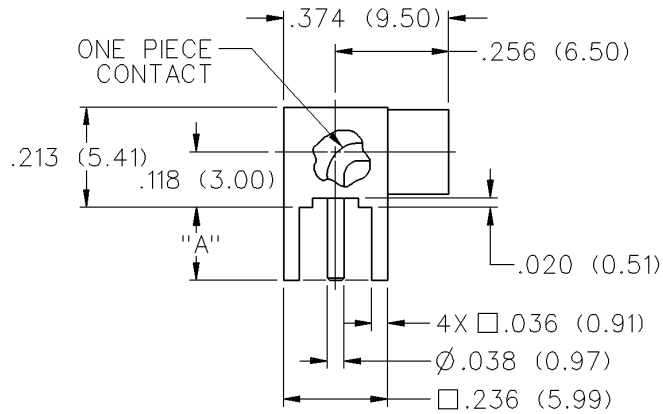
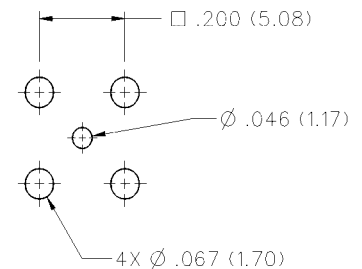


## Right Angle Jack Receptacle



"A"	<b>GOLD PLATED</b>
.155 (3.94)	133-9701-301



## SPECIFICATIONS

### ELECTRICAL RATINGS

**Impedance:** 50 Ohms

**Frequency Range:** 0-6 GHz

**VSWR:** (f = GHz)

	<u>Straight Cabled Connectors</u>	<u>Right Angle Cabled Connectors</u>
RG-316 cable .....	1.13 + .04f	1.07 + .04f
Uncabled receptacles .....	N/A	

**Working Voltage:** (Vrms maximum)

Connectors for Cable Type	<u>Sea Level</u>	<u>70K Feet</u>
RG-316 .....	335	85

**Dielectric Withstanding Voltage:** (VRMS minimum at sea level)

Connectors for RG-316, uncabled receptacles ..... 1000

**Corona Level:** (Volts minimum at 70,000 feet)

Connectors for RG-316, uncabled receptacles ..... 250

**Insertion Loss:** (dB maximum, tested at 1 GHz)

Straight cable connectors .....	0.1 dB
Right angle cable connectors .....	0.2 dB
Uncabled receptacles .....	N/A

**Insulation Resistance:** 10,000 megohms minimum

**Contact Resistance:** (milliohms maximum)

	<u>Initial</u>	<u>After Environmental</u>
Center contact (straight cabled connectors, uncabled receptacles) .....	5.0	8.0
Center contact (right angle cabled connectors) .....	5.0	15.0
Outer contact .....	1.0	1.5
Braid to body .....	1.0	N/A

**RF Leakage:** (dB typical tested at 2.5 GHz)

Cable connectors ..... -55

Uncabled receptacles ..... N/A

**RF High Potential Withstanding Voltage:** (Vrms minimum, tested at 4 and 7 MHz)

Cabled connectors ..... 700

Uncabled receptacles ..... 600

### MECHANICAL RATINGS

**Engagement Design:** Compatible with CECC 22220, Series MCX

**Engagement Force:** 5.6 pounds maximum axial force

**Disengagement Force:** 8 pounds maximum axial force, 1 pound min.

**Contact Retention:** 2.3 pounds min. axial force (captivated contacts)

1 inch-ounce min. torque (uncabled receptacles)

**Cable Retention:**

	<u>Axial Force*</u> <u>(pounds)</u>	<u>Torque</u> <u>(in-oz)</u>
Connectors for RG316 .....	20	N/A
Connectors for RG316DS .....	25	N/A

\* or cable breaking strength whichever is less.

### ENVIRONMENTAL RATINGS (Meets or exceed the applicable paragraph of MIL-PRF-39012)

**Durability:** 500 cycles minimum

**Temperature Range:** - 65°C to + 165°C

**Thermal Shock:** MIL-STD-202, Method 107, Condition F

**Corrosion:** MIL-STD-202, Method 101, Condition B

**Shock:** MIL-STD-202, Method 213, Condition B

**Vibration:** MIL-STD-202, Method 204, Condition B

**Moisture Resistance:** MIL-STD-202, Method 106